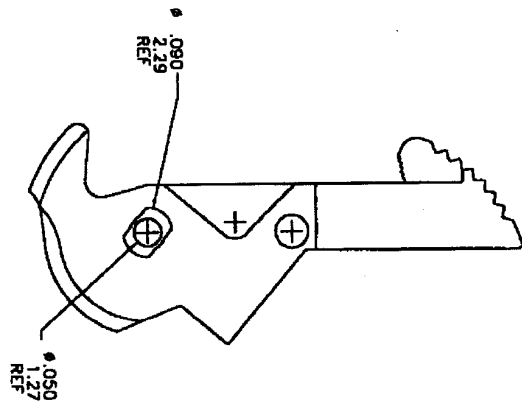
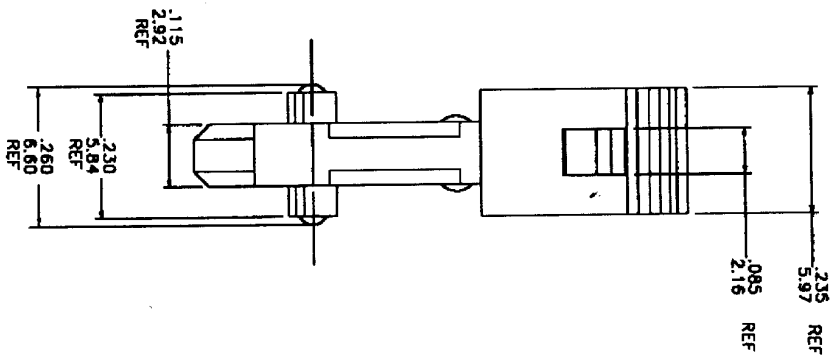
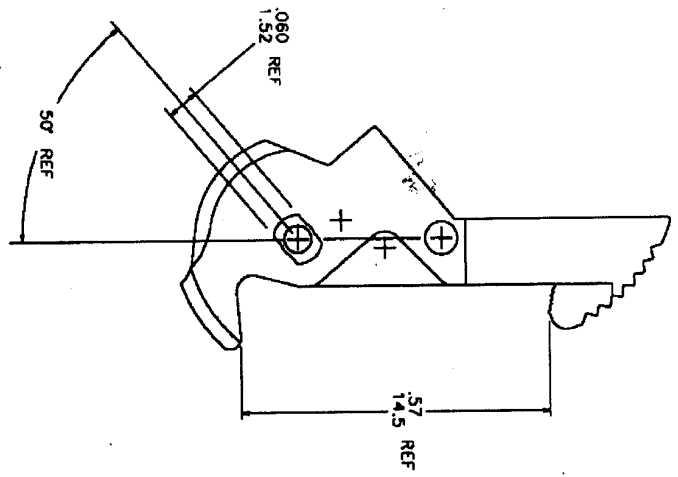


PRODUCT NUMBER	MATERIAL COLOR	MATERIAL TYPE
65824-001	BLUE	POLYESTER PET
65824-002	BLACK	POLYESTER PBT
65824-003	GRAY	POLYESTER PBT
65824-004	BLACK	POLYESTER PET
65824-005	BLACK	POLYPHENYLENE SULFIDE PPS
65824-006	BLUE	POLYESTER PBT
65824-007	BLACK	POLYESTER PCT



- NOTES
- 1 MATERIAL TYPE AND COLOR SEE TABLE
  - 2 FLAME RETARDANT PER DESIGN TO PART NUMBER FOR LEAD FREE OPTION.
  - 3 AND 17 OF THE PROJECT MEETS EUROPEAN UNION DIRECTIVES AND OTHER
  - 4 CHARTER REGULATIONS AS DESCRIBED IN GS-26-006
  - 5 THE HOUSING WILL WITHSTAND EXPOSURE TO 260° PEAK TEMPERATURE FOR 15 SECONDS IN A WAVE SOLDER APPLICATION WITH A 12MM MINIMUM THICK CIRCUIT BOARD. SEE APPLICATION NOTES/PROCEEDURES IF THEY ARE AVAILABLE.

REV	EQ/ISSUE	BY	DATE	REVISIONS	SHEET INDEX	ISSUE	SH NO.	DATE	CUSTOMER
J	VA2000	MSC	2/23/03		1		1		SEA-HORSE
K	VA1706	MSC	11/27/03						LAICH
L	VA1148	EPK	8/15/06						
M	NA6-013	LONE	6/18/06						

**BERG**  
ELECTRONICS